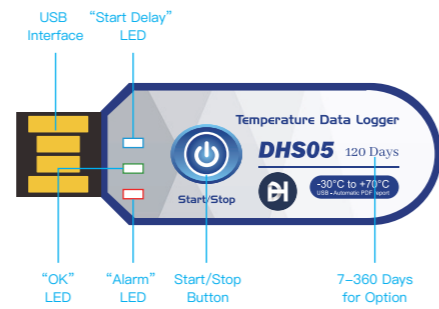


80mm

100mm

Temperature Data Logger DHS05



USER MANUAL V1
FOR DHS05

Product Overview

DHS05 is a disposable data logger with a temperature measurement range from -30°C to $+70^{\circ}\text{C}$. It can be mainly used in fruit and vegetable, medical transportation and storage scenarios. DHS05, is packed by an IP67 waterproof PE bag, features a built-in three-color LED light to indicate its usage status. It can export the non-modifiable PDF data file via USB.

Products Contents

Temperature Data Logger x50 Calibration Certificate x1
Barcode Sticker x1 3M Tape x1

Main Features

Waterproof IP67 level.
Export historical data as PDF.
Temperature alarm function.
Log duration up to 360 days.
Measurement range: -30°C ~ $+70^{\circ}\text{C}$.
Measurement accuracy: $\pm 0.5^{\circ}\text{C}$ / $\pm 0.9^{\circ}\text{F}$.

Specification

Model	DHS05
Sensor	NTC
Battery	CR2032
Size	60*20*5.7mm
Weight	8g
Protection Grade	IP67
Operation Temperature	-30°C ~ $+70^{\circ}\text{C}$ / -22°F ~ $+158^{\circ}\text{F}$
Temperature Accuracy	$\pm 0.5^{\circ}\text{C}$ (-20°C ~ $+40^{\circ}\text{C}$) $\pm 1^{\circ}\text{C}$ (others)
Time Zone	UTC+0:00 (Default or Customizable)
Record Capacity	33792 Readings (Max)
Log Interval	5 mins (Customizable from 1min to 24h)
Log Duration	90 days (Customizable from 7 to 360 days)
Start Delay	30 mins (Default or Customizable)
Alarm Temperature	$< 2^{\circ}\text{C}$ or $> 8^{\circ}\text{C}$ (Default or Customizable)
Data Interface	USB 2.0
Temperature Unit	$^{\circ}\text{C}$ (Default, $^{\circ}\text{F}$ Customizable)

Operating Instructions

Operating	Device status	LED	Status	Function
Single Click	Power off	● ● ●	Flashes once	Check if the device is power on
	Alarm when power on	●	Flashes once	Check for alarm data
	No alarm when power on	●	Flashes once	
Press & Hold 5 seconds	Power off	● ● ●	Flashes 5 times	Power on
	Power on and recording data	● ● ●	Light on & then off	Stop recording
Insert USB	Power on	●	Flashing	Stop recording and generate PDF file
		●	Light on	Please check the ready PDF file
/	No alarms in the record	●	Flashes once	Flashes once every 10 seconds, indicating normal or abnormal
	There is an alarm in the record	●	Flashes once	
/	Power on, delayed recording	●	Flashes once	Flashes every 10 seconds for delayed recording

Power On and Record

- Press and hold the button for 5 seconds to start the data logger in the shutdown state.
- The green LED flashes once every 10 seconds, indicating that it is recording and the temperature range is not exceeded the preset value.
- The red LED flashes once every 10 seconds, indicating that it is recording and the temperature exceeds the preset value.
- The blue LED flashes once every 10 seconds, indicating that the device is in delayed recording mode and hasn't started recording.

Stop Recording

Press and hold the button for 5 seconds until turned off, or insert the thermometer into the USB port of the computer.

Record Status

In the recording mode, short press the button and the green LED flashes once, indicating that it is recording and the temperature range is not exceeded.

Record Data

After opening the protective bag and inserting the device into the computer, the blue LED will flash once, indicating that the device is generating a PDF record file. Then, the green LED light will be on and you can check the PDF data report.

Note

- It means the device is damaged and cannot work properly when the red LED light stays on during use.
- DHS05 is a disposable temperature recorder. In recording mode, please do not press and hold the button, or plug the device into the computer. Or the device will end recording.
- When the first time to plug the device into the computer, the PDF files is generating with blue light flash, please do not unplug the USB device, or will miss the data record.